

MATRIX SUB

Loudspeaker system



Matrix Sub

Description

The Matrix Sub with more than 60 mm linear excursion moves the air in such a way you can listen to music with all your body. In other words; it enables the listener to listen to music the way it meant to be.

Every part of this unique speaker is aimed at only one goal: forming the ultimate open-air subwoofer that will create the perfect image together with the other Matrix speakers in your setup.

Features

This Matrix Sub is the perfect match for the Matrix series. In this active system the under hung neodymium magnet system drives an 18 inch unit. The unit is being driven by a DSP (Digital Signal Processor) controlled proprietary switching amplifier with very high power. It uses a unique pulse control scheme that takes feedback only from the speaker terminal.

This Matrix subwoofer is standard executed in a high-end active version.

Drivers

- Low-frequency: 18-inch Aluminium cone sub-driver

The Matrix Sub has an 18-inch aluminium cone subwoofer, which have a peak to peak excursion of 67 mm. This linear excursion does not only look impressive, but also delivers an astonishing detailed bass.

Technical specifications

Type:	MAT-SB-2.0-A
System:	Active Subwoofer
RMS power:	800 Watt
Program power:	1600 Watt
Frequency range:	20 Hz – 200 Hz
Impedance:	220K Ohm
Maximum SPL:	120 dB
Phase:	0-180° / 5°

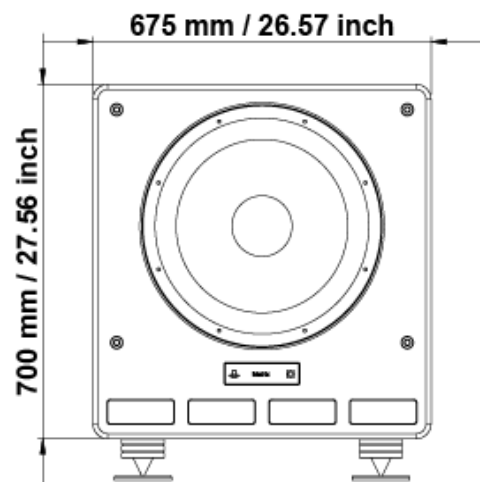
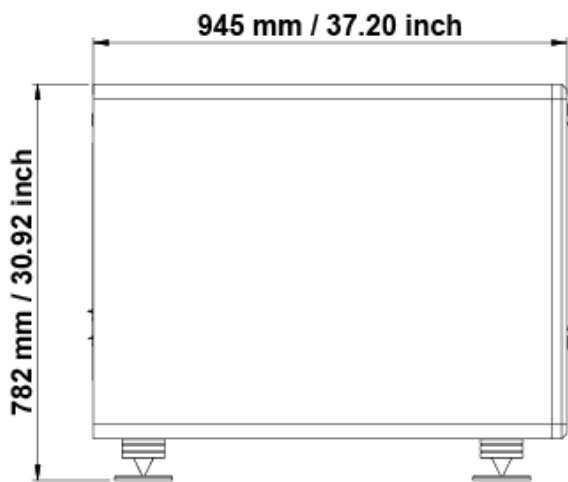
Dimensions

Including stand

Width:	675 mm / 26.57 inch
Height:	782 mm / 30.92 inch
Depth:	945 mm / 37.20 Inch

Excluding stand

Width:	675 mm / 26.57 Inch
Height:	700 mm / 27.56 Inch
Depth:	945 mm / 37.20 Inch



Advice

Advised external cable

The Matrix Sub can be perfectly complemented with the Matrix cable series, because the Matrix cable series is specially designed to match the Matrix Collection.

Colour Options

A Kharma product must not only have an unbelievable refined sound, which meets the needs of a true music lover, but also must have an astonishing finish to compete with the musicality of the system.

Primary Stock Program

The originality of this Matrix subwoofer consists of returning to the origin. Two finishes of this subwoofer have proven their looks in the past and showing of this clear message of returning to the origin. Therefore the available colour options in the primary stock program are blank and black anodized aluminium.



Blank anodized Aluminium



Black anodized Aluminium

* Colours shown only give an indication of the real colour, contact your dealer for references.