

# ELEGANCE S10-SB-A

Active subwoofer



ELEGANCE COLLECTION



# Elegance S10-SB-A

## Description

The elegance subwoofer has been designed for completing high-end 2.1 /5.1 or 7.1 AV systems. The new elegance subwoofer is a beautiful active subwoofer with integrated digital signal processing and high-end poweramplifier.

The DSP gives the user the ability to control and match the subwoofer with virtually any room and main loudspeakersystem. The high-end matrix amplifier inside keeps the bassdriver under tight control and blends in perfect with Elegance main speakers.



## Technical specifications

The new elegance subwoofer is a beautiful active subwoofer with integrated digital signal processing and high-end poweramplifier. The DSP gives the user the ability to control and match the subwoofer with virtually any room and main loudspeakersystem.

System:	Active subwoofer
Bass driver:	10-inch Aluminum woofer
RMS Power:	180 watt
Frequency range:	22 Hz - 200 Hz
Maximum SPL:	111 dB
Input impedance:	50K Ohm
Crossover high pass:	15 - 50 Hz
Crossover low pass:	40 - 200 Hz
Crossover slope:	6 / 12 / 24 dB/oct
Phase control:	0 - 180 degree
Level adj.:	-60 to 0 dB
Parametric EQ:	20 - 200 Hz
Paramteric Q:	0.5 + 5
Parametric gain:	- 6 dB to +6 dB

## Dimensions

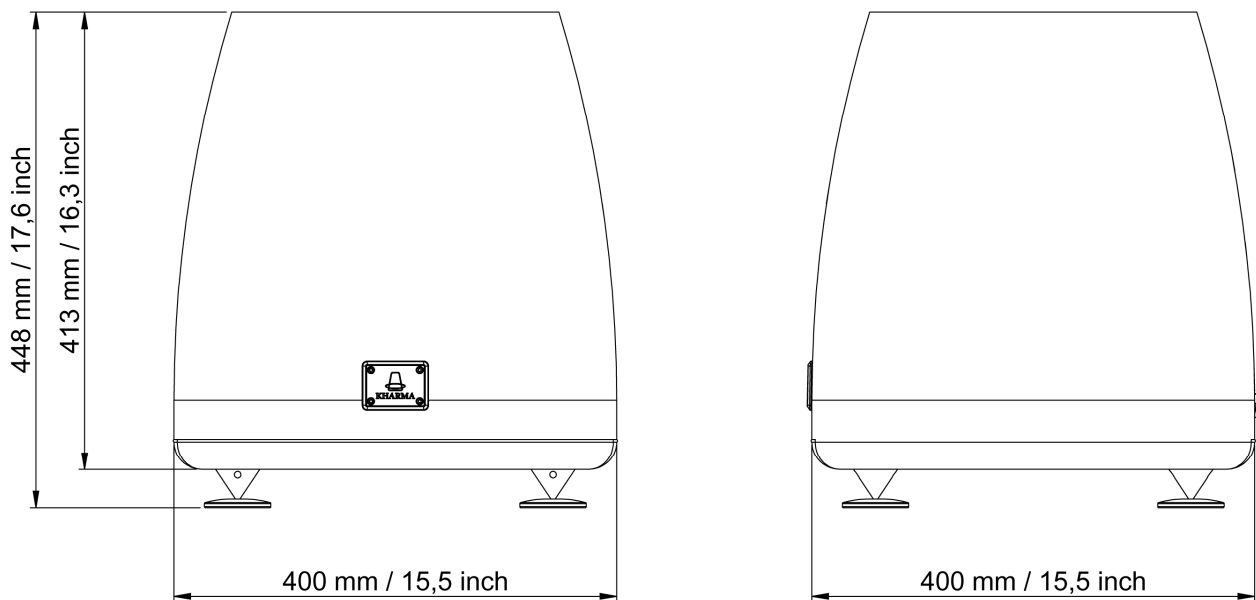
The dimensions of the Elegance S10SB-A is in line with the performance it can deliver. This combined with the elegant design causes the S10SB-A to easily blend in your living room.

Height: 448 mm / 17.6 inch

Depth: 400 mm / 15.5 inch

Width: 400 mm / 15.5 inch

Nett weight: 22kg / 49 lbs



## Product Program Structure

A Kharma product must not only have an unbelievable refined sound, which meets the needs of a true music lover, but also must have an astonishing finish to compete with the musicality of the system. As known by Kharma, every customer can have a taste of its own. Therefore Kharma developed two programs to be able to fulfil all levels of customization.

### Primary Stock Program

This program has been targeted as to create the shortest possible delivery time for the official Kharma products. This program is therefore based on the most popular Kharma finishes, which have proven their looks in the past by many successful sales. In this way we can deliver both the high refined sound as the astonishing finish that can be expected from Kharma.

#### Primary Stock Program - Cabinet colours \*:



### Kharma Optionary Program

The visual tuning in the Optionary Program will give the customer the opportunity to choose between special selected Kharma colours. These colours have a higher level of customization and therefore the delivery time will be slightly longer than a Stock Program colour. There is only extra charge for the indicated special colour in this program.

#### Kharma Optionary Program - Cabinet colours \*:



\* Colours shown only give an indication of the real paint colour, contact your dealer for references.