

ELEGANCE Q4-C

Center loudspeaker



Elegance Q4-C

Description

This beautiful new Elegance Center speaker has been developed for home cinema use to be placed just below your flatscreen television. With its 4 drivers + HF driver it has the power to convert your Elegance AV system into a real 3D- soundfield enriching your AV experience with added detail and dynamics. The cabinet is finished in high gloss Kharma colours and will blend in easily in your living room.

In combination with an Elegance front speakers, the new Elegance Surrounds and Elegance Subwoofer this will create the ultimate experience, just in your living room.

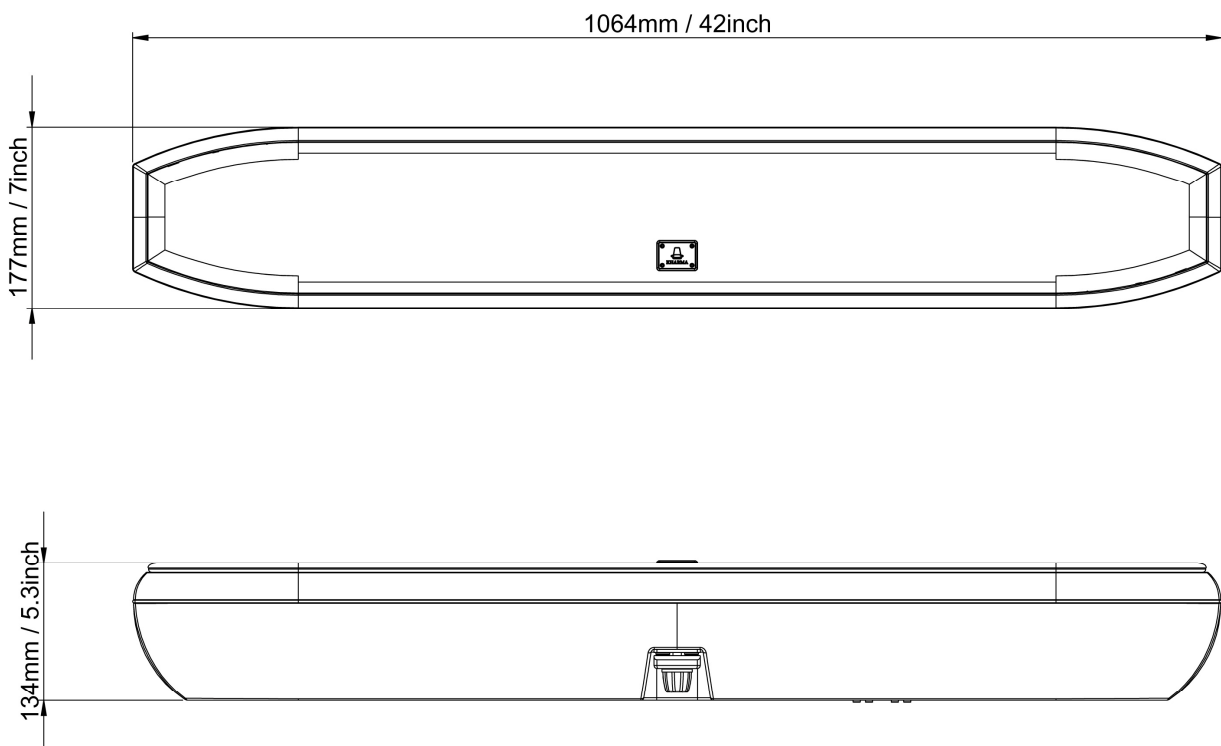


Technical specifications

Type:	EL-Q4-C
System:	3-way center speaker
High driver:	1 x ¾-inch Soft dome tweeter
Low / Mid driver:	4 x 4-inch Sliced paper cone driver
RMS Power:	80 Watt
Program power:	240 Watt
Frequency range:	80 Hz to 30 kHz, -3 dB
Impedance:	4 Ohm
Efficiency 2,83V / 1m:	88 dB
Maximum SPL:	112 dB

Dimensions

Height:	177 mm / 7.0 inch
Depth:	134 mm / 5.3 inch
Width:	1064 mm / 41.9 inch
Nett weight:	10kg / 22 lbs



Product Program Structure

A Kharma product must not only have an unbelievable refined sound, which meets the needs of a true music lover, but also must have an astonishing finish to compete with the musicality of the system. As known by Kharma, every customer can have a taste of its own. Therefore Kharma developed two programs to be able to fulfil all levels of customization.

Primary Stock Program

This program has been targeted as to create the shortest possible delivery time for the official Kharma products. This program is therefore based on the most popular Kharma finishes, which have proven their looks in the past by many successful sales. In this way we can deliver both the high refined sound as the astonishing finish that can be expected from Kharma.

Primary Stock Program - Cabinet colours *:



Kharma Optionary Program

The visual tuning in the Optionary Program will give the customer the opportunity to choose between special selected Kharma colours. These colours have a higher level of customization and therefore the delivery time will be slightly longer than a Stock Program colour. There is only extra charge for the indicated special colour in this program.

Kharma Optionary Program - Cabinet colours *:



* Colours shown only give an indication of the real paint colour, contact your dealer for references.